

# Keybox

## Power Management Enclosure



### BLINK MARINE



Compact and versatile, Keybox is a smart relay module for electric loads that make it possible to utilize Blink Marine keypads where there are no PLC systems onboard. Thanks to its CAN bus interface and high power outputs, Keybox can also be used in "slave" mode with complex systems.

#### 3 Models Available

- KB-12V-05A 13 relays (12 for CAN version) 12V 5A
- KB-12V-10A 13 relays (12 for CAN version) 12V 10A
- KB-24V-05A 13 relays (12 for CAN version) 24V 5A

#### Electrical Features

- 13 switched circuits that include:
  - Momentary, toggle, and time-out functions
  - Circuits rated up to 10 ampere at 12V and 5 ampere at 24V maximum continuous load (resistive)
- Isolated relay outputs
- Fuse protected circuits
- Input undervoltage lock down and overvoltage protection

#### Environmental Features

- Operating ambient temperature: -20°C to +70°C
- Storage ambient temperature: -40°C to +85°C
- Humidity: 0 to 98% (non-condensing)
- IP67 enclosure

#### Special Features

- CAN-bus compatible (CANopen)
- Field programmability of electrical functions and current limit trip points available to authorized OEMs and Value-Added Resellers (VARs)

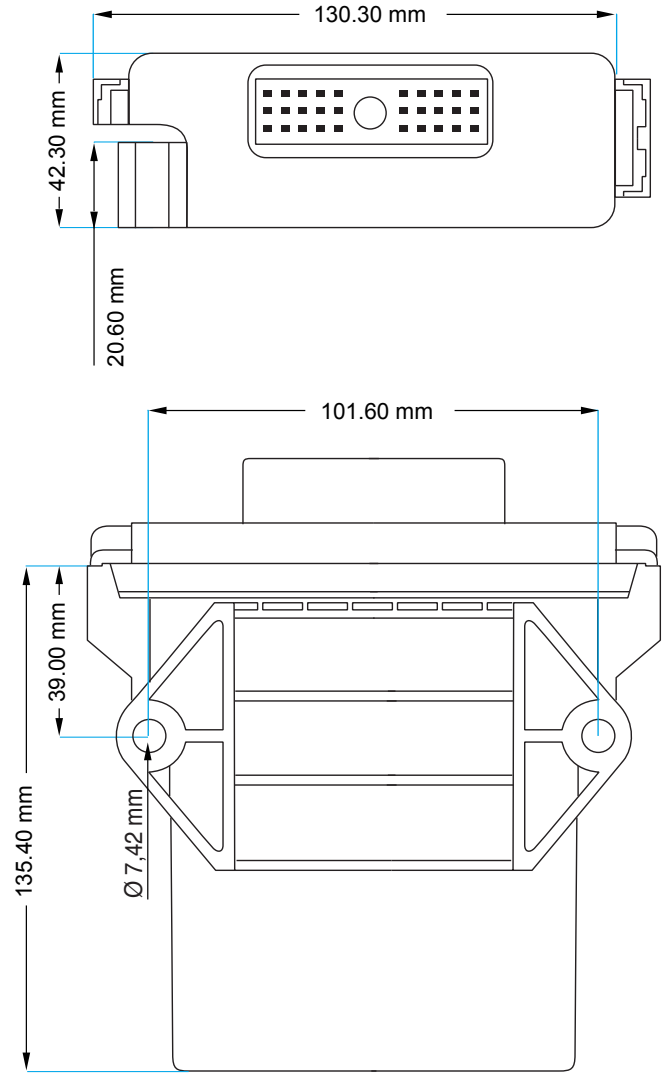
**blink**  
MARINE



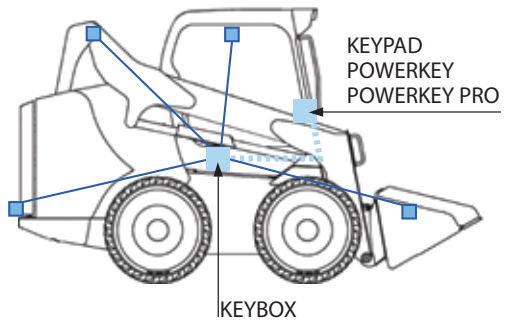
# SPECIFICATIONS FOR KEYBOX POWER MANAGEMENT ENCLOSURE



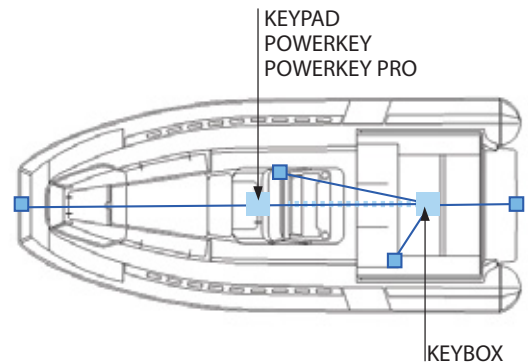
ELECTRICAL	
Supply voltage	12V Nominal 9-16V or 24V Nominal 18-31V
Standby current	<30mA per PME
Load current	Max 5 A per output (resistive) @ 24V Max 10 A per output (resistive) @ 12V
Communication bus	RS-485 between keypad and PME CAN Bus Slave
Circuit protection	Automotive mini blade fuse
MECHANICAL	
Connector	Cinch 581-01-18-038 / 581-01-30-064
Mating connector	Cinch 581-01-18-023 / 581-01-30-029 with 4250000873
Housing / cover	33% Glass Filled Polymer
PC board	1,6mm thick, Nema Grade FR-4, Double clad with 2oz copper
ENVIRONMENTAL	
Operating temperature	-20°C to +70°C
Storage temperature	-40°C to +85°C
Humidity	0 to 98% (no condensation)
Salt spray	96Hrs
Ingress Protection Rating	IP67
FEATURES	
Circuits	13
Size mm	135,4 x 130,3 x 42,3
Low volt sense & lock down	Optional
Analog sense	N/A
Sense pins levels	N/A
Tachometer sense pins	N/A
Dimming/PWM Features	N/A
Circuit status monitoring	N/A
Field re-programmable	Optional
External status communication on the bus	Optional



## AUTOMOTIVE



## MARINE



**Blink S.r.l.**

Via Montefeltro, 6 - 20156 Milano - Italy

Tel. +39 02 3088583 - Fax +39 02 33406697

[www.blinkmarine.com](http://www.blinkmarine.com) - [info@blinkgroup.com](mailto:info@blinkgroup.com)

!WARNING! IMPROPER SELECTION, IMPROPER USE AND/OR FAILURE OF THE BLINK SYSTEMS PRODUCTS DESCRIBED HEREIN OR RELATED ITEMS CAN CAUSE DEATH, PERSONAL INJURY AND PROPERTY DAMAGE. This document and other information from Blink, provide product and/or system options for further investigation by users having technical expertise. It is important to analyze all aspects of the application, including consequences of any failure. Due to the variety of operating conditions and applications for these product(s), the manufacturer of the application is solely responsible for marking the final selection of the product(s) and assuring that all performance, safety and warning requirements of the application are met. The products described herein, including without limitation, product features, specifications, designs, availability and pricing, are subject to change by Blink at any time without notice.